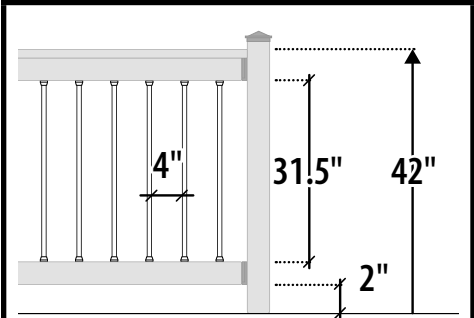
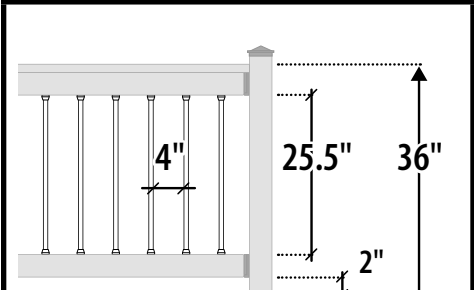
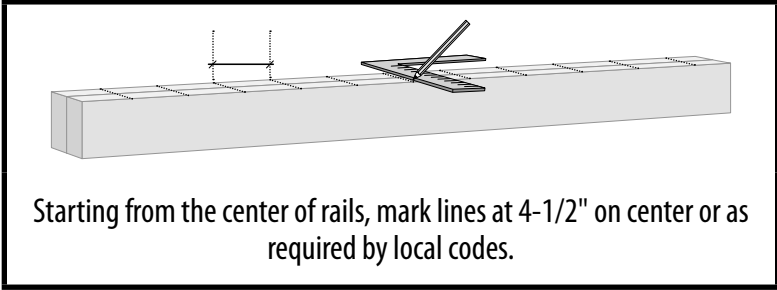


SQUARE

# SNAP'N LOCK BALUSTERS® Level

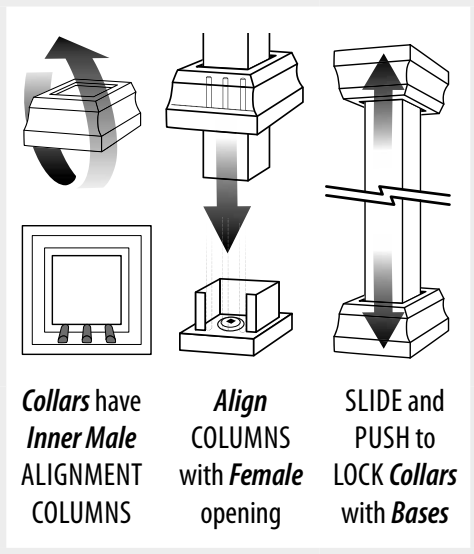


Maximum allowable Gap and space between Balusters is 4."

**1**  
Screw

**2**  
Snap

**3**  
Lock



**! IMPORTANT !**

Do not use impact driver. Neither the screws or the connectors are designed for installation with an impact driver.

Use a variable speed screw driver and set torque to low-medium.

Overdriving screws into the connectors can damage the connector and reduce lifespan.

**QUESTIONS? 1-866-577-8868** IN NO EVENT SHALL TITAN BUILDING PRODUCTS BE LIABLE FOR ANY LOSS OR DAMAGE, DIRECT OR OTHERWISE, WHICH RESULTS FROM THE IMPROPER INSTALLATION OR USE OF THIS PRODUCT. IF FOR ANY REASON TITAN BUILDING PRODUCTS BECOMES LIABLE FOR LOSS OR DAMAGE, DIRECT OR OTHERWISE, THE AGGREGATE LIABILITY OF TITAN BUILDING PRODUCTS SHALL BE LIMITED TO THE RETAIL PURCHASE PRICE OF THE PRODUCTS.

PATENT NO	US 11,274,451	GB 2563328	CA 3,001,589
-----------	---------------	------------	--------------



www.titanbp.com/warranty  
**WARRANTY**  
Titan Building Products offers a Limited Manufacturer's Warranty. Terms and Conditions Apply.



1-866-577-8868  
www.titanbp.com



4 1/2"



TEMPLATE

Level

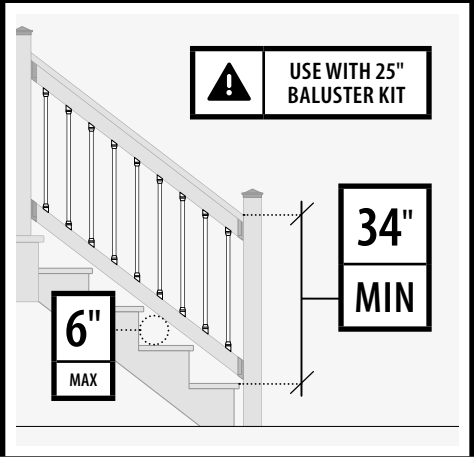
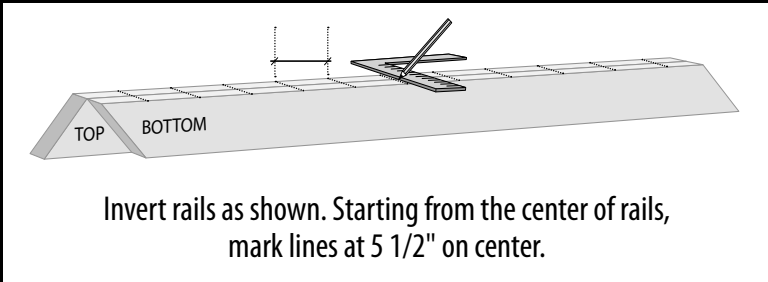
4 1/2"

Starting from the center of rails, mark lines at 4-1/2" on center or as required by local codes.



SQUARE

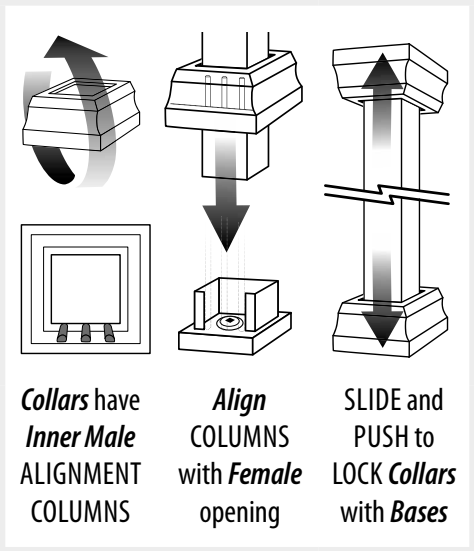
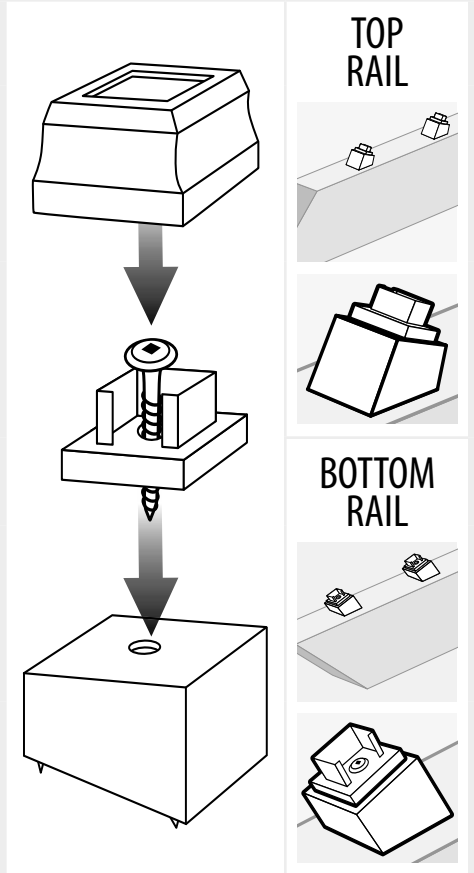
# SNAP'N LOCK BALUSTERS® Stair Adapter



**1**  
Screw

**2**  
Snap

**3**  
Lock



**! IMPORTANT !**

Do not use impact driver. Neither the screws or the connectors are designed for installation with an impact driver.

Use a variable speed screw driver and set torque to low-medium.

Overdriving screws into the connectors can damage the connector and reduce lifespan.

**QUESTIONS? 1-866-577-8868** IN NO EVENT SHALL TITAN BUILDING PRODUCTS BE LIABLE FOR ANY LOSS OR DAMAGE, DIRECT OR OTHERWISE, WHICH RESULTS FROM THE IMPROPER INSTALLATION OR USE OF THIS PRODUCT. IF FOR ANY REASON TITAN BUILDING PRODUCTS BECOMES LIABLE FOR LOSS OR DAMAGE, DIRECT OR OTHERWISE, THE AGGREGATE LIABILITY OF TITAN BUILDING PRODUCTS SHALL BE LIMITED TO THE RETAIL PURCHASE PRICE OF THE PRODUCTS.

PATENT NO	US 11,274,451	GB 2563328	CA 3,001,589
-----------	---------------	------------	--------------



www.titanbp.com/warranty  
**WARRANTY**  
 Titan Building Products offers a Limited Manufacturer's Warranty. Terms and Conditions Apply.



1-866-577-8868

www.titanbp.com

REV: 05/27/26

5 1/2"
   
  

 TEMPLATE
   

 Stair Adapter
   
 5 1/2"
   
  
 Starting from the center of rails, mark lines at 5-1/2" on center.