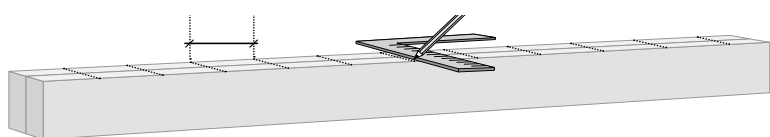


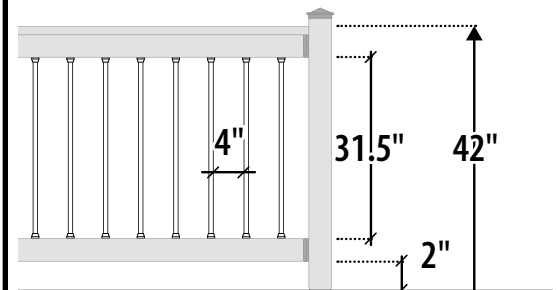
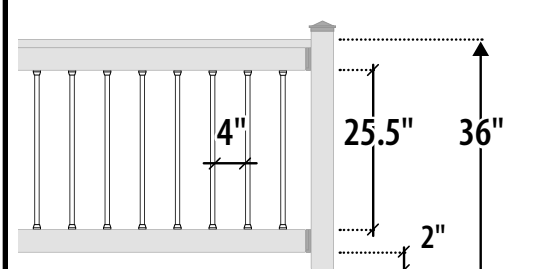
ROUND

SNAP LOCK BALUSTERS®

Level



Starting from the center of rails, mark lines at 4-1/2" on center or as required by local codes.

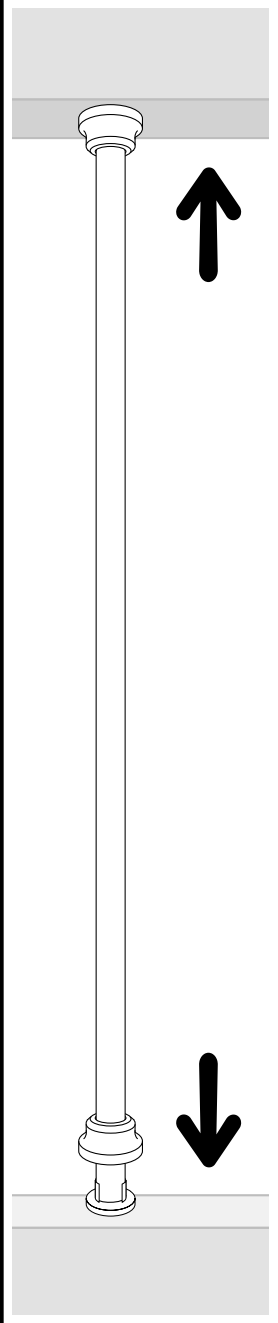
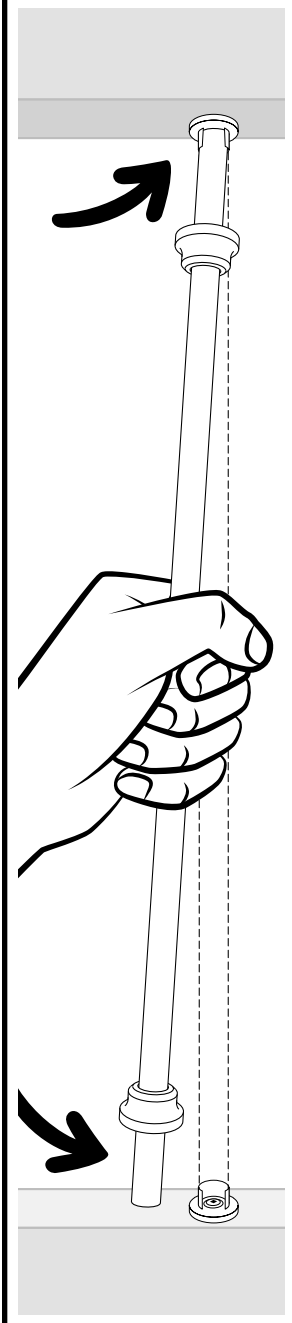


Maximum allowable Gap and space between Balusters is 4."

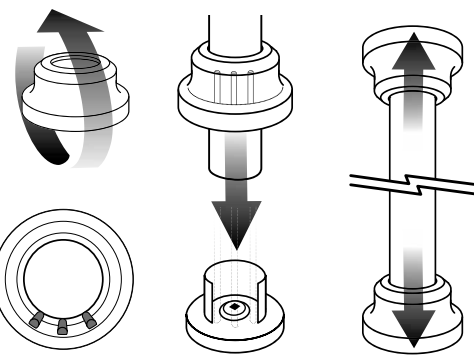
1 Screw

2 Snap

3 Lock



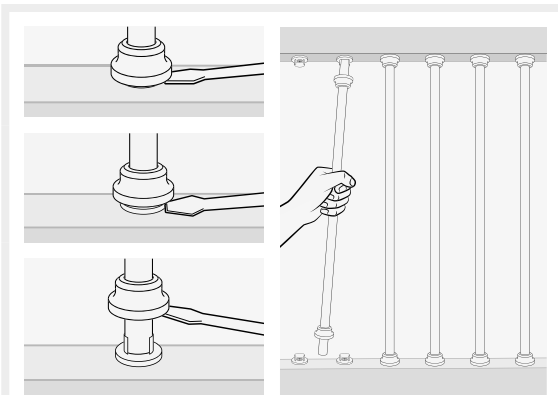
! IMPORTANT !



Collars have Inner Male ALIGNMENT COLUMNS

Align COLUMNS with Female opening

SLIDE and PUSH to LOCK Collars with Bases



Re-staining or retro-fitting Old Rails is **Fast** and **Easy**.

QUESTIONS? 1-866-577-8868 IN NO EVENT SHALL TITAN BUILDING PRODUCTS BE LIABLE FOR ANY LOSS OR DAMAGE, DIRECT OR OTHERWISE, WHICH RESULTS FROM THE IMPROPER INSTALLATION OR USE OF THIS PRODUCT. IF FOR ANY REASON TITAN BUILDING PRODUCTS BECOMES LIABLE FOR LOSS OR DAMAGE, DIRECT OR OTHERWISE, THE AGGREGATE LIABILITY OF TITAN BUILDING PRODUCTS SHALL BE LIMITED TO THE RETAIL PURCHASE PRICE OF THE PRODUCTS.

PATENT NO

US 11,274,451

GB 2563328

CA 3,001,589



www.titanbp.com/warranty

WARRANTY

Titan Building Products offers a Limited Manufacturer's Warranty. Terms and Conditions Apply.

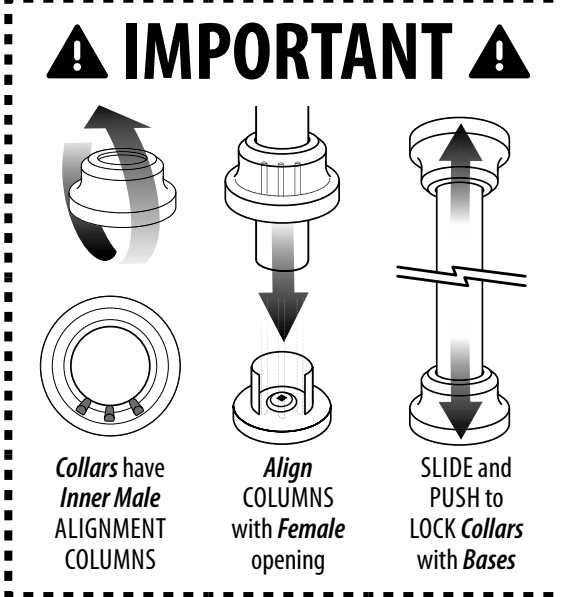
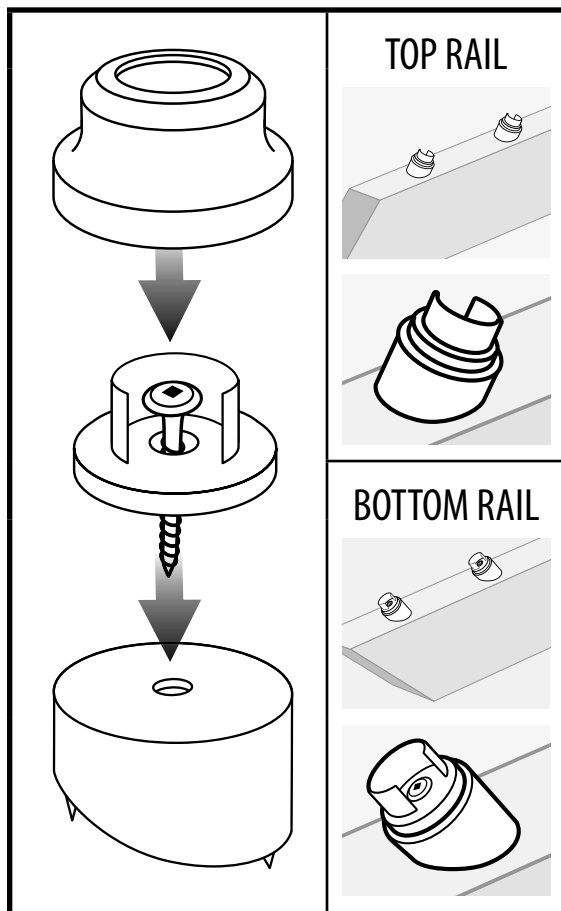
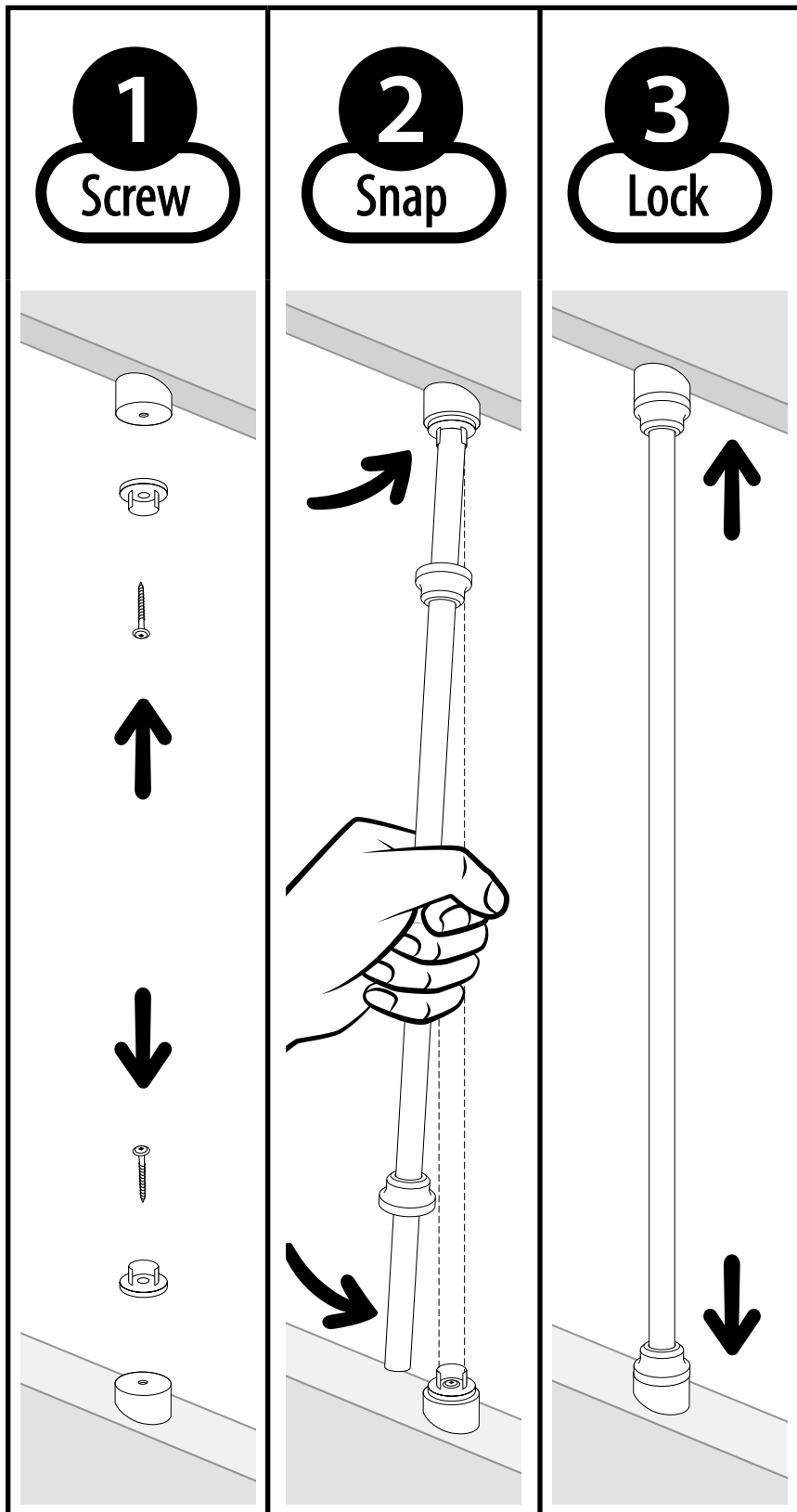
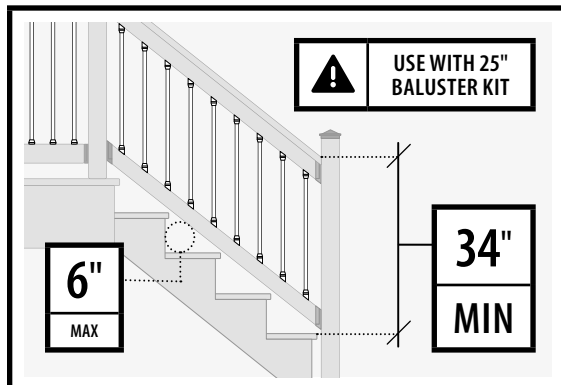
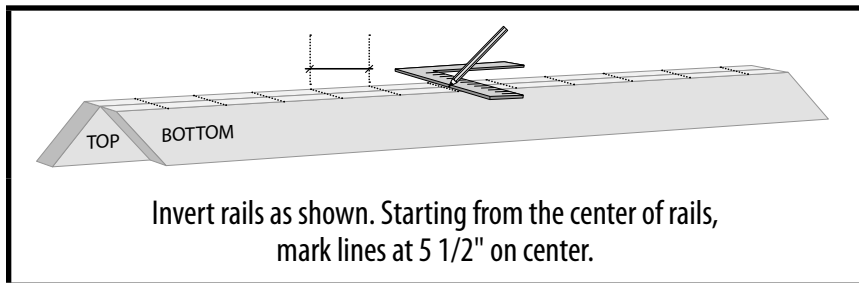


1-866-577-8868

www.titanbp.com

ROUND

SNAP'N LOCK BALUSTERS® Stair Adapter



QUESTIONS? 1-866-577-8868 IN NO EVENT SHALL TITAN BUILDING PRODUCTS BE LIABLE FOR ANY LOSS OR DAMAGE, DIRECT OR OTHERWISE, WHICH RESULTS FROM THE IMPROPER INSTALLATION OR USE OF THIS PRODUCT. IF FOR ANY REASON TITAN BUILDING PRODUCTS BECOMES LIABLE FOR LOSS OR DAMAGE, DIRECT OR OTHERWISE, THE AGGREGATE LIABILITY OF TITAN BUILDING PRODUCTS SHALL BE LIMITED TO THE RETAIL PURCHASE PRICE OF THE PRODUCTS.

PATENT NO

US 11,274,451

GB 2563328

CA 3,001,589



www.titanbp.com/warranty

WARRANTY

Titan Building Products offers a Limited Manufacturer's Warranty. Terms and Conditions Apply.



1-866-577-8868

www.titanbp.com

REV: 11/22/24