

INSTALLATION | DECK FOOT ANCHOR™ Ledger

IMPORTANT



THIS PRODUCT IS DESIGNED FOR FREE-STANDING AND LEDGER CONNECTED STRUCTURES. IT MAY NOT WORK IN YOUR SOIL. ROCKS, ROOTS OR A WEAK IMPACT WRENCH MAY PREVENT THE AUGER FROM DRIVING FULLY INTO THE SOIL. CONTINUOUS TORQUE, ONCE STOPPED BY AN OBSTRUCTION, CAN DESTROY THE AUGER. IMPROPERLY SIZED SOCKETS CAN STRIP THE DRIVER HEAD. DESIGNED FOR COMPRESSION LOAD APPLICATIONS ONLY.

<p>LOAD FIN™ COMPRESSION</p> <p>FF4511-C</p> <p>3LB HAMMER</p>	<p>AUGER M16 2.0 THREAD</p> <p>36" TIGA9002</p> <p>— or —</p> <p>48" TIGA12502</p>	<p>POST SADDLE</p> <p>4x4 TIDP442/444</p> <p>— or —</p> <p>6x6 TIDP662/664</p> <p>1/4 X 3" LAG SCREWS SOLD SEPARATELY</p>	<p>TOOLS NEEDED</p> <p>12 MM AND 24 MM, 6 POINT DEEP IMPACT SOCKET</p> <p>DO NOT USE 12 POINT SOCKET</p>	<p>1/2" IMPACT WRENCH 350 FT-LBS CORDED OR 18V CORDLESS</p> <p>— or —</p> <p>OPTION 1 HAND AUGER TOOL</p> <p>OPTION 2 24" BREAKER BAR</p> <p>DIYers! AT2035 SOLD SEPARATELY. WOOD & FASTENERS NOT INCLUDED.</p>
-------------------------------------------------------------------------------------	---------------------------------------------------------------------------------------------------------------------	-----------------------------------------------------------------------------------------------------------------------------------------------------------	-------------------------------------------------------------------------------------------------------------------------------	-------------------------------------------------------------------------------------------------------------------------------------------------------------------------------------------------------------------------------------------------------------

<p>1 Remove sod and any organic material. Add 2"–3" of 1/2" crushed stone or stone dust base.</p> <p>24"</p>	<p>2A Drive the Auger into the soil.</p>	<p>2B Drive the Auger down and stop it when the threads reach the soil surface.</p>
----------------------------------------------------------------------------------------------------------------------------	-------------------------------------------------	--------------------------------------------------------------------------------------------

<p>3A Strike Drive Head 3-4 times to compress & seat blade in soil.</p> <p>3B Compress soil in circular motion around auger.</p>	<p>4A Post Saddle and Load Fin orientation.</p> <p>— IMPORTANT —</p> <p>Beam Line</p> <p>Adjust Post</p> <p>Wide</p> <p>Narrow</p>	<p>4B Load Fin installation onto Auger.</p> <p>OPTION 2</p> <p>Hammer in circular pattern so threaded rod passes through hole without damage.</p> <p>— or —</p> <p>OPTION 2</p> <p>Drive Load Fin with hammer and post block.</p>
----------------------------------------------------------------------------------------------------------------------------------------------------	--------------------------------------------------------------------------------------------------------------------------------------------------	--------------------------------------------------------------------------------------------------------------------------------------------------------------------------------------------------------------------------------------------------------

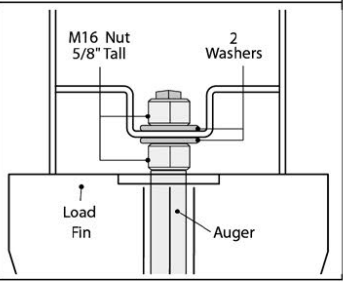
<p>NOT DESIGNED FOR LATERAL LOADS</p>	<p align="center">ATTENTION</p> <p>INTERTEK ENGINEERING REPORTS ARE FOR GUIDANCE ONLY AND SUBMITTING THEM IN SUPPORT OF A BUILDING PERMIT APPLICATION DOES NOT NECESSARILY MEAN YOUR PLANS WILL BE ACCEPTED BY LOCAL BUILDING OFFICIALS.</p>	<p align="center">— ENGINEERING REPORTS FOR APPLICATION SUITABILITY —</p>
----------------------------------------------	-----------------------------------------------------------------------------------------------------------------------------------------------------------------------------------------------------------------------------------------------------	----------------------------------------------------------------------------------

DECK FOOT ANCHOR™ LEDGER / FF4511-C / TIDP442/444/662/664 / TIGA900/12502 PATENT NO. PENDING

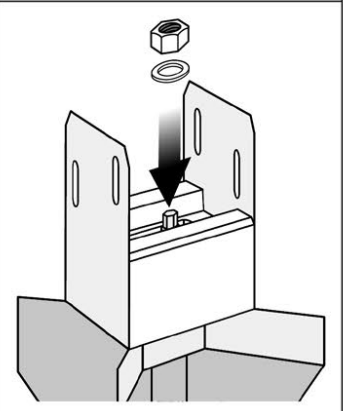
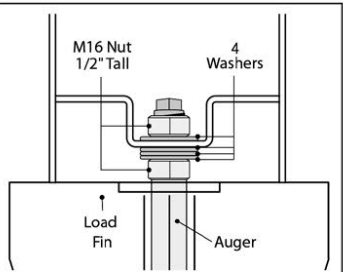
	<p>www.titanbp.com/warranty</p> <p>WARRANTY</p> <p>Titan Building Products offers a Limited Manufacturer's Warranty. Terms and Conditions Apply.</p>	<p align="center">TITAN BUILDING PRODUCTS</p> <p align="center">THE ART OF BUILDING</p> <p align="center">More Outdoor Beauty... Real easy.</p>		<p align="center">1-866-577-8868</p> <p align="center">www.titanbp.com</p>
--	-----------------------------------------------------------------------------------------------------------------------------------------------------------------------------------------------------------	--------------------------------------------------------------------------------------------------------------------------------------------------------	--	------------------------------------------------------------------------------------------------------------------------

INSTALLATION | DECK FOOT ANCHOR™ Ledger

5 Washer and nut combinations depend on height of nuts.

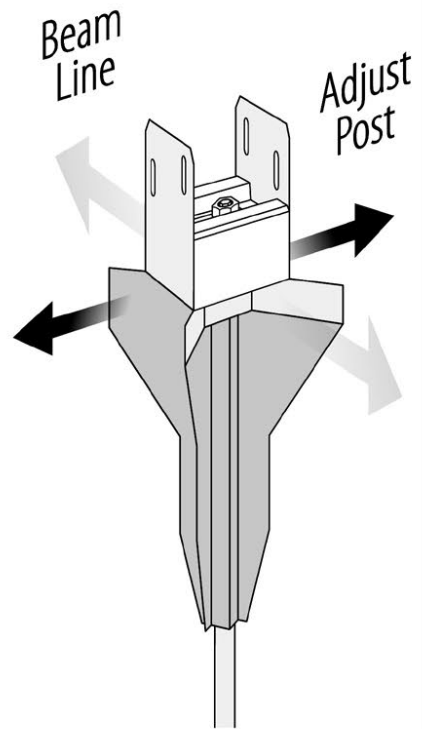


— or —

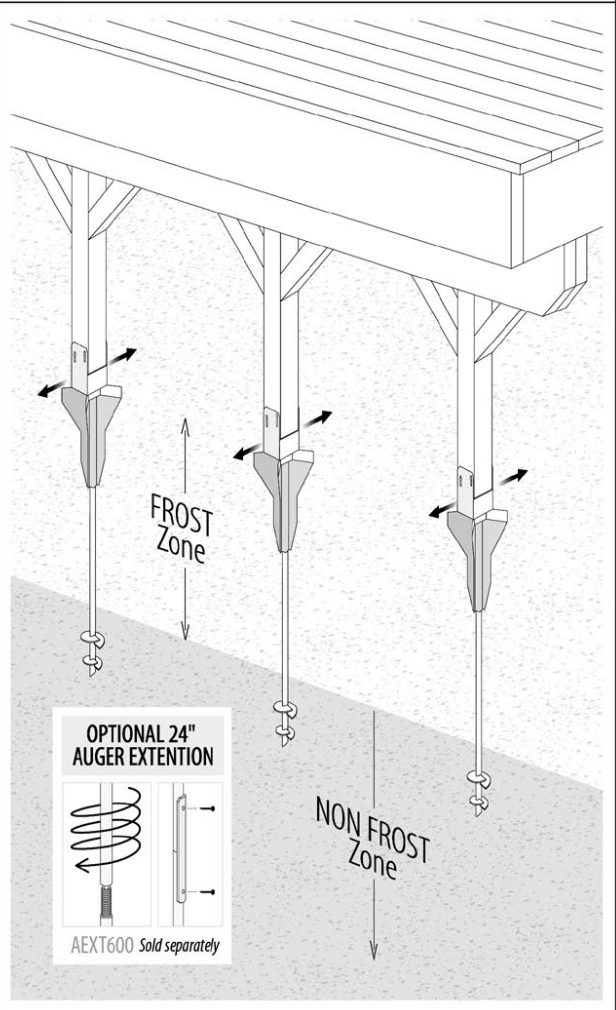


6 Adjust the Post Saddle horizontally to the Beam Line.

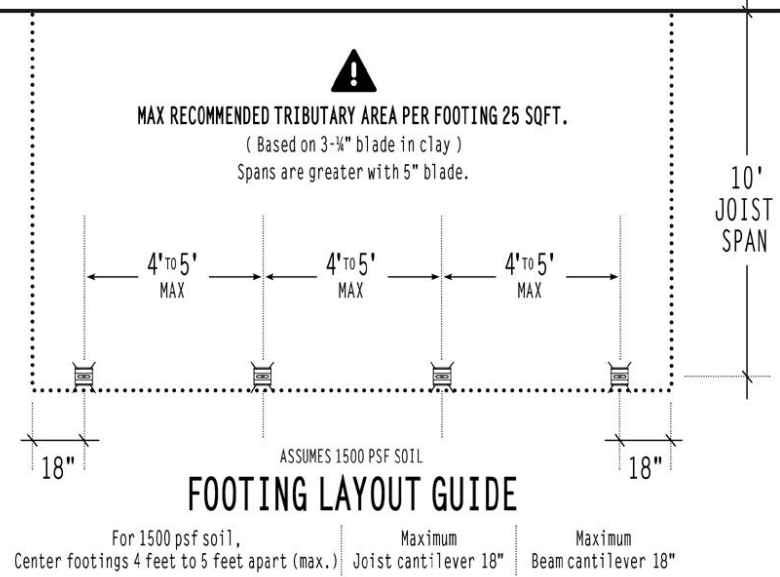
— IMPORTANT —



7 Placement of the Load Fin and Post Saddle in relation to the Beam Line.



HOUSE



COMPRESSION LOAD

AUGER		SOIL TYPES	
LENGTH	BLADE DIA	SAND	CLAY
36"	3-1/4"	6285 LBS MAX.	1391 LBS MAX.
48"	5"	--	4000 LBS MAX.

******* ATTENTION *******

This product is not for industrial, commercial or apartment building applications. It is for private residential use only. If you wish to use this product for any residential code application, engage local professionals before beginning work: (i) to ensure that this product is appropriate for your intended use and that the structural components which this product is to be used in conjunction with are sound and that the work area is safe and free from all potential hazards including utilities and other services, (ii) to provide clarification if these warnings are unclear or you do not understand any of the information in the installation instructions for this product. Always comply with applicable building codes. Be aware that building codes may vary.

When using tools always comply with the applicable user manuals and instructions. Everyone in the vicinity of any work area must wear appropriate protective gear including gloves, footwear, eyewear, hardhat and appropriate clothing. Inspect and maintain these products and the structural components that they are used in connection with on a regular basis using professionals when appropriate. Always work in a safe manner.

QUESTIONS? 1-866-577-8868 IN NO EVENT SHALL TITAN BUILDING PRODUCTS BE LIABLE FOR ANY LOSS OR DAMAGE, DIRECT OR OTHERWISE, WHICH RESULTS FROM THE IMPROPER INSTALLATION OR USE OF THIS PRODUCT. IF FOR ANY REASON TITAN BUILDING PRODUCTS BECOMES LIABLE FOR LOSS OR DAMAGE, DIRECT OR OTHERWISE, THE AGGREGATE LIABILITY OF TITAN BUILDING PRODUCTS SHALL BE LIMITED TO THE RETAIL PURCHASE PRICE OF THE PRODUCTS.

DECK FOOT ANCHOR™ LEDGER / FF4511-C / TIDP442/444/662/664 / TIGA900/12502

PATENT NO PENDING



www.titanbp.com/warranty
WARRANTY
 Titan Building Products offers a Limited Manufacturer's Warranty. Terms and Conditions Apply.



1-866-577-8868

www.titanbp.com