



International Residential Code (IRC)

This product may not be suitable for residential building code applications in your area. Do not use this product for residential guard rails unless you have it approved by local authorities. Download and read the engineering report carefully. You must replicate the assembly exactly as depicted and described in a given report and obtain approval from a local building official. Engineering reports provide guidance only and complying with them does not necessarily mean your structure will be code compliant. They are based on the specific assembly tested for each report. Some areas do not permit any end post attachment means. Any variation from the assemblies and manner of testing stated in our engineering reports is outside of the scope of the report.

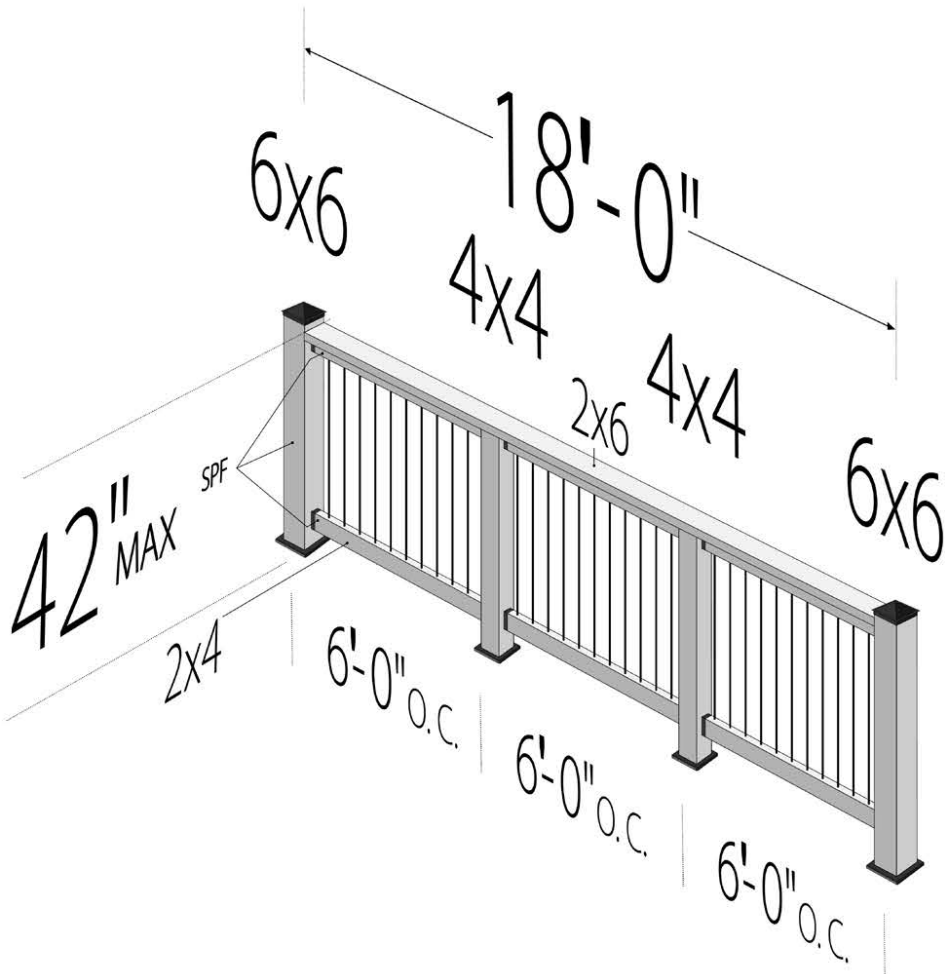
ENGINEERING
REPORTS FOR
APPLICATION
SUITABILITY



REPORT NO **103643197TOR-005** REPORT NAME **Post Anchor 6x6 & 4x4-6'x42"H Continuous Cap Rail USA**
<https://titanbp.com/resources/engineering-reports-new/>

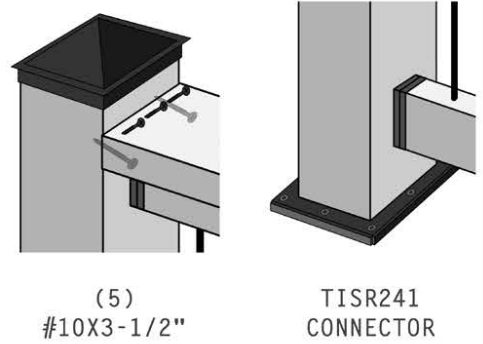
AC 273 2017

1. 6X6 WITH 4X4, 42" HIGH, 6'-0" O.C.

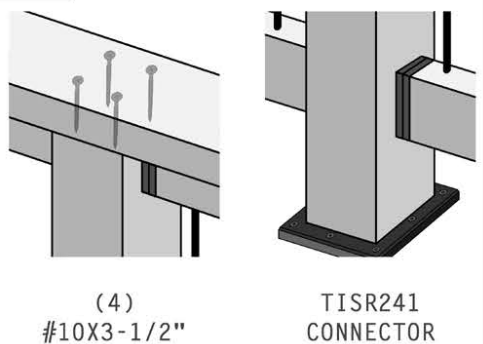


SPF - SPRUCE / PINE / FIR

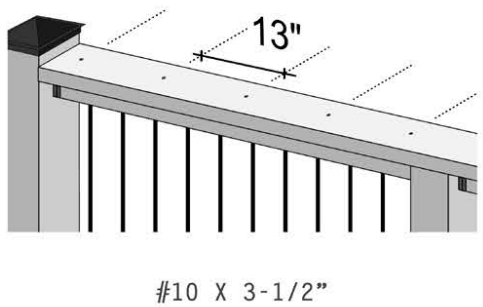
2. TOP / BOTTOM / END POST TO RAIL



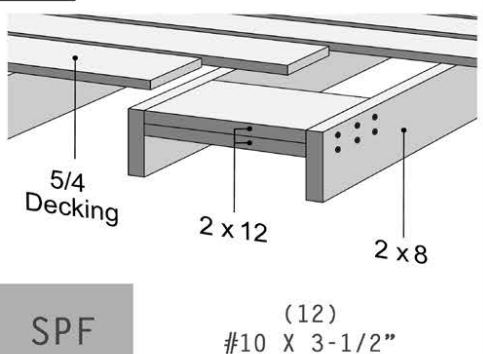
3. TOP / BOTTOM / LINE POST TO RAIL



4. CAP RAIL SCREW PATTERN



5. BLOCKING

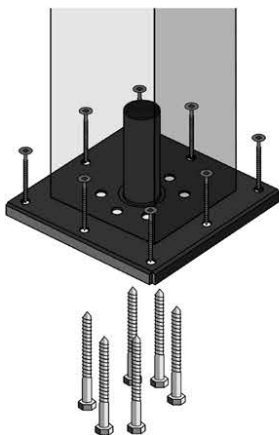


OPTIONAL



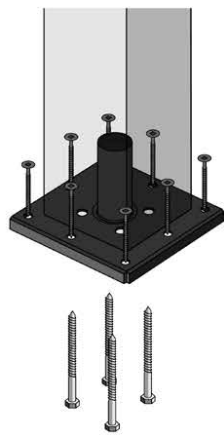
NOT USED IN TEST
BUT AVAILABLE

6. 6X6 POST ANCHOR



(8) #14 X 4"
(6) 1/2" X 5"

7. 4X4 POST ANCHOR



(8) #14 X 4"
(4) 3/8" X 5"



All tests results are based on lab tests. Specific job site conditions should be taken into consideration when building with this product. Because applications and site conditions vary, we assume no liability for use of this information.

REV: 05/22/24

National Building Code of Canada (NBC)

This product may not be suitable for residential building code applications in your area. Do not use this product for residential guard rails unless you have it approved by local authorities. Download and read the engineering report carefully. You must replicate the assembly exactly as depicted and described in a given report and obtain approval from a local building official. Engineering reports provide guidance only and complying with them does not necessarily mean your structure will be code compliant. They are based on the specific assembly tested for each report. Some areas do not permit any end post attachment means. Any variation from the assemblies and manner of testing stated in our engineering reports is outside of the scope of the report.

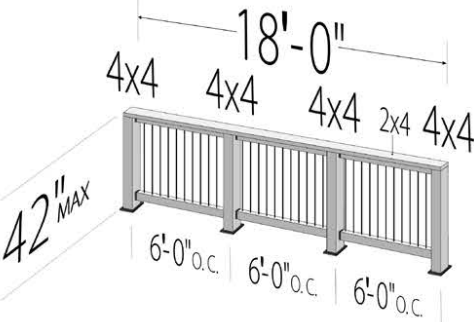
<https://titanbp.com/resources/engineering-reports-new/>

ENGINEERING REPORTS FOR APPLICATION SUITABILITY



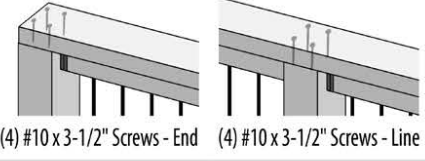
REPORT NO ▶ 100390597TOR-003B **REPORT NAME ▶ Post Anchor 4x4 - 6' x 42" H CAN**

4X4, 42" HIGH, 6'-0" MAX, O.C.



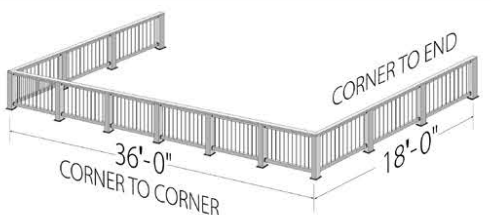
SPF - Spruce / Pine / Fir

TOP / POST TO RAIL / END / LINE



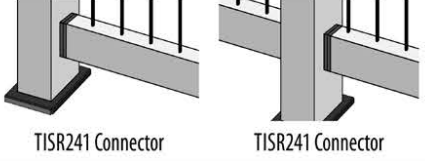
(4) #10 x 3-1/2" Screws - End (4) #10 x 3-1/2" Screws - Line

TISR241 Connector TISR241 Connector



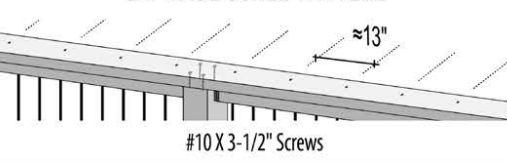
CORNER TO END CORNER TO CORNER

BOTTOM / POST TO RAIL / END / LINE



TISR241 Connector TISR241 Connector

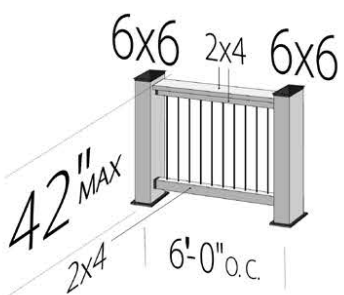
CAP RAIL SCREW PATTERN



#10 X 3-1/2" Screws

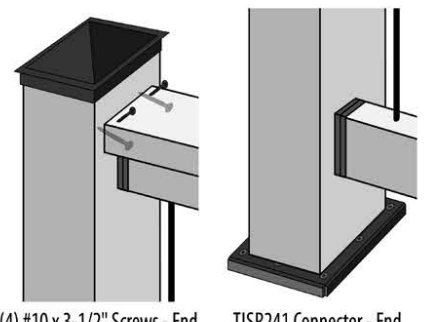
REPORT NO ▶ 100604363TOR-004C **REPORT NAME ▶ Post Anchor 6x6 - 6' X 42" H CAN**

6X6, 42" HIGH, 6'-0" O.C.




SPF - Spruce / Pine / Fir

TOP / BOTTOM / END POST TO RAIL

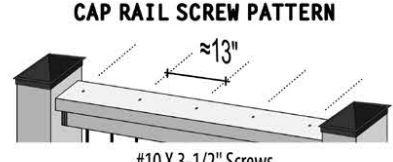


(4) #10 x 3-1/2" Screws - End TISR241 Connector - End



ENDLESS ENDLESS

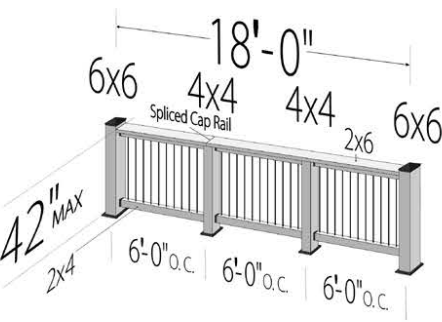
CAP RAIL SCREW PATTERN



#10 X 3-1/2" Screws

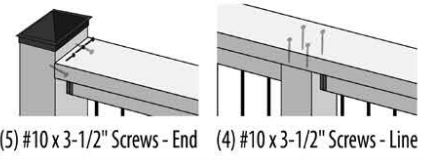
REPORT NO ▶ 103645361TOR-003 **REPORT NAME ▶ Post Anchor 6x6-4x4 - 6' x 42" H Spliced Cap Rail SPF**

6X6 WITH 4X4, 42" HIGH, 6'-0" O.C.




SPF - Spruce / Pine / Fir

TOP / POST TO RAIL / END / LINE



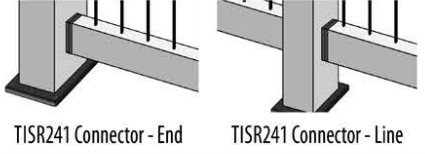
(5) #10 x 3-1/2" Screws - End (4) #10 x 3-1/2" Screws - Line

TISR241 Connector - End TISR241 Connector - Line



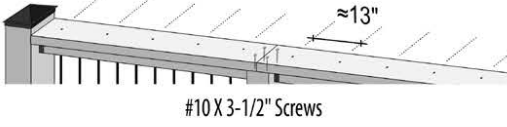
ENDLESS ENDLESS

BOTTOM / POST TO RAIL / END / LINE



TISR241 Connector - End TISR241 Connector - Line

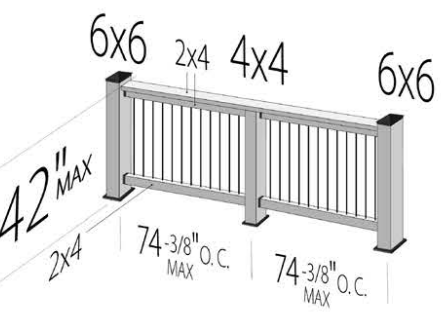
CAP RAIL SCREW PATTERN



#10 X 3-1/2" Screws

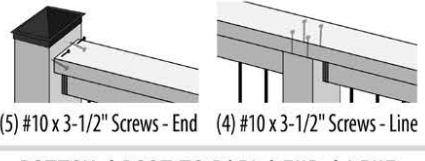
REPORT NO ▶ 103914490TOR-003 **REPORT NAME ▶ Post Anchor 6x6-4x4 - 6' x 42" H Continuous Cap Rail Cedar**

6X6 WITH 4X4, 42" HIGH, 74-3/8" MAX, O.C.




WRC - Western Red Cedar

TOP / POST TO RAIL / END / LINE



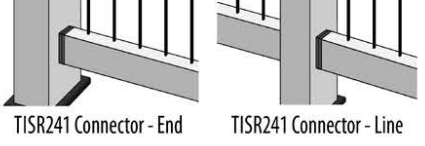
(5) #10 x 3-1/2" Screws - End (4) #10 x 3-1/2" Screws - Line

TISR241 Connector - End TISR241 Connector - Line



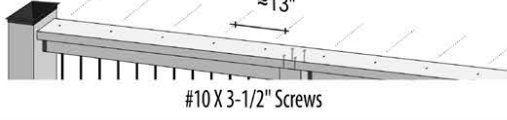
ENDLESS ENDLESS

BOTTOM / POST TO RAIL / END / LINE



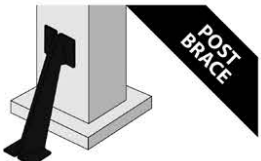
TISR241 Connector - End TISR241 Connector - Line

CAP RAIL SCREW PATTERN



#10 X 3-1/2" Screws

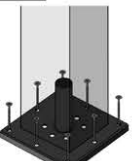
OPTIONAL



POST BRACE

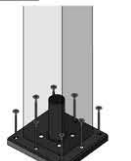
Not used in test but available

6X6 POST ANCHOR



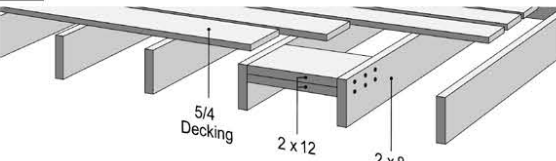
(8) #14 X 4" (6) 1/2" X 5"

4X4 POST ANCHOR




(8) #14 X 4" (4) 3/8" X 5"

BLOCKING



5/4 Decking 2 x 12 2 x 8

SPF - Spruce / Pine / Fir (12) #10 X 3-1/2" Screws

 All tests results are based on lab tests. Specific job site conditions should be taken into consideration when building with this product. Because applications and site conditions vary, we assume no liability for use of this information.

REV: 05/22/24