

 **e-GUIDE**

ULTIMATE SNAP'N LOCK[®] BALUSTER GUIDE

SNAP'N LOCK[®]



WRITTEN BY
**RICHARD
BERGMAN**



Hey, it's *Rich Bergman* here. If you are thinking of building a new railing or even updating an old wood picket railing, I have something very special I would like to share with you.

The Snap 'n Lock® Baluster System is my latest idea from the workshop and it's going to make your life a lot easier and your world a lot more beautiful!

This e-guide will show you how the Snap 'n Lock® connectors work, how to install them in every situation, and some other tricks for renovating old railings.



SNAP 'N LOCK®

So Let's Get Started...

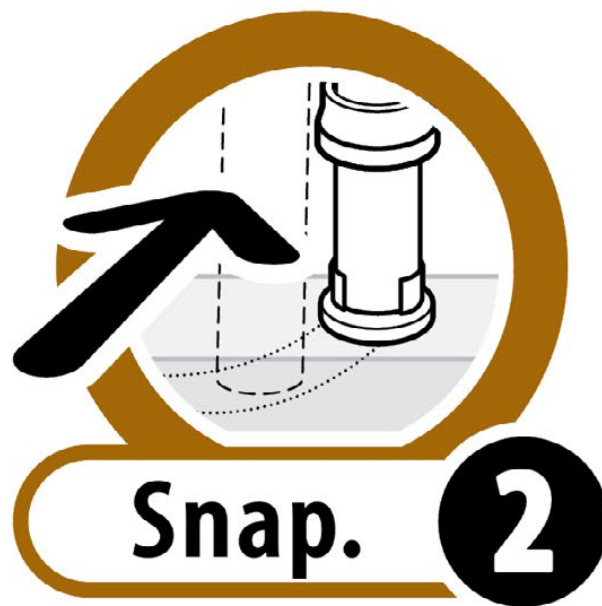
Why Bother Creating a New Baluster System ?

If you have ever used *traditional plug systems* you know the *hassle* they are to install, even with a helping hand. You have to be an octopus to get *fifteen* balusters all perfectly aligned with each hole or plug.

The *first* couple go in easy but by the *fourth* or *fifth* baluster the first two have fallen out of place. So you start *over*, and *over*, and *over* again!



Well, we've got...
Great news!



*A much easier and more beautiful way to install balusters.
The Snap 'n Lock® Baluster System.*

Installs *easier* and *faster* than traditional systems so you really can do it yourself.

Perfect for *upgrading* old wood picket railings.

Staining or *painting* is carefree and easy.



It's an easy...
One person installation.

SNAP'N LOCK[®]

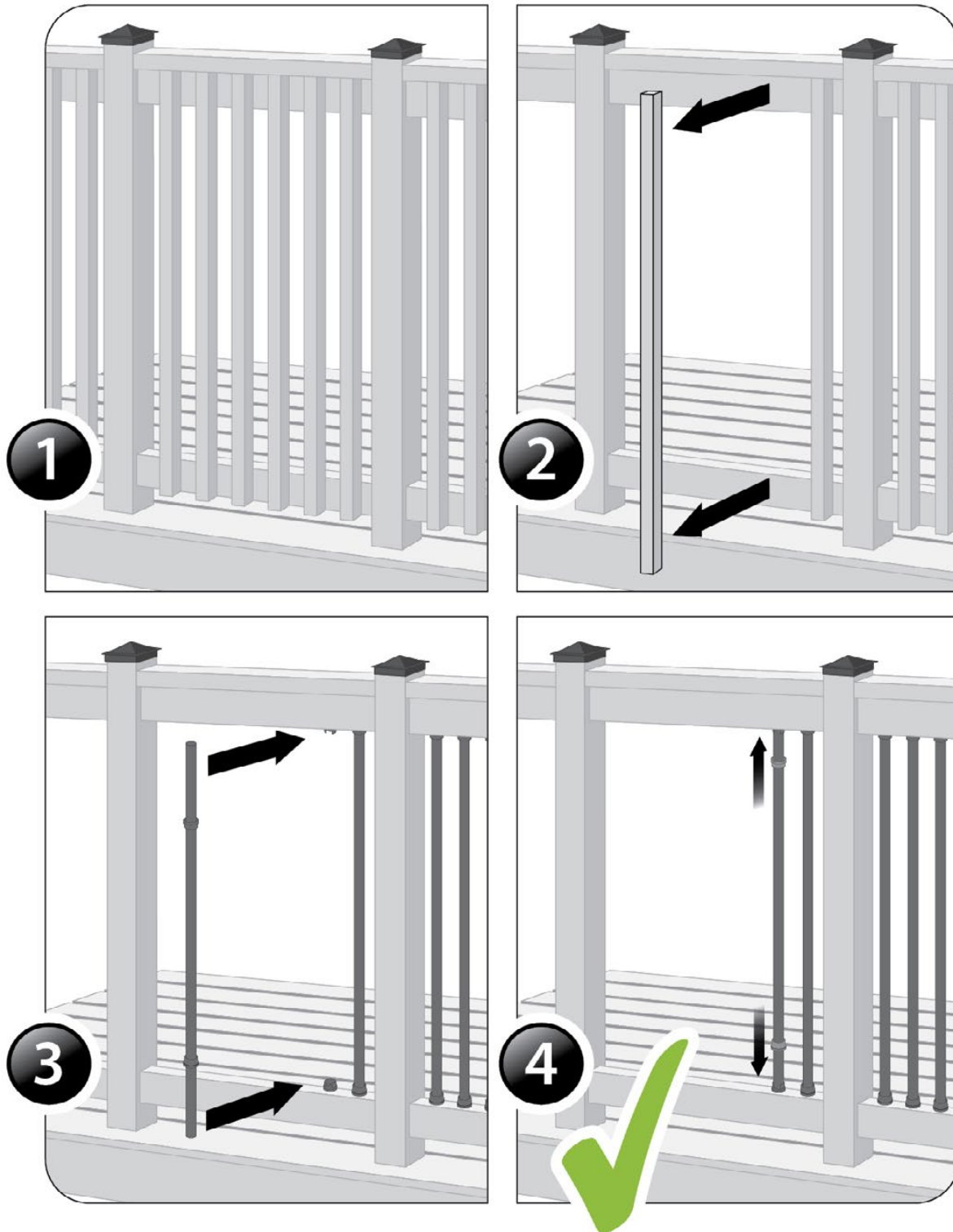


How It Works

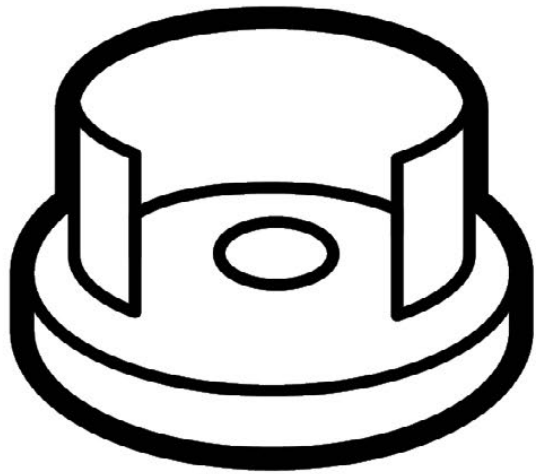
Sideways Installation is the key to a simple one person installation.

No more hassles and muttering under your breath as you try and align multiple balusters into holes or plugs!

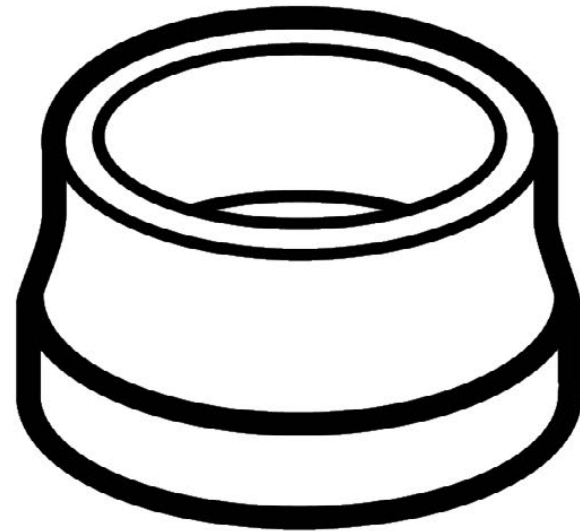
SNAP'N LOCK[®]



The Snap 'n Lock[®] Baluster System
Consists of ***Two Parts:***

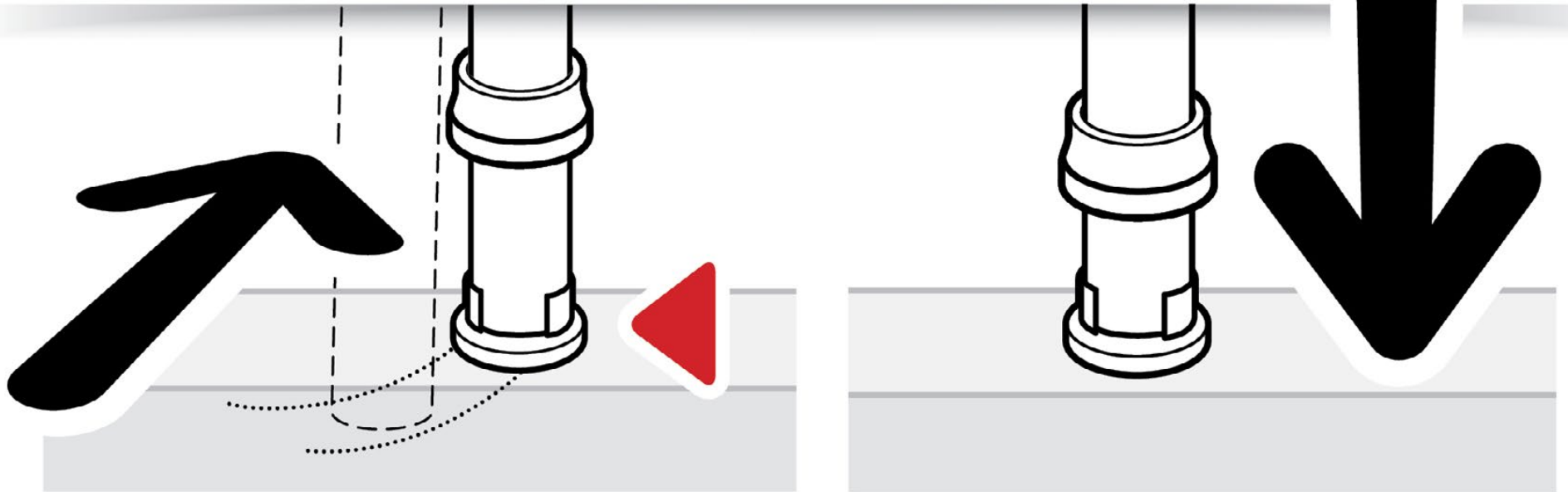


Shoe



Collar

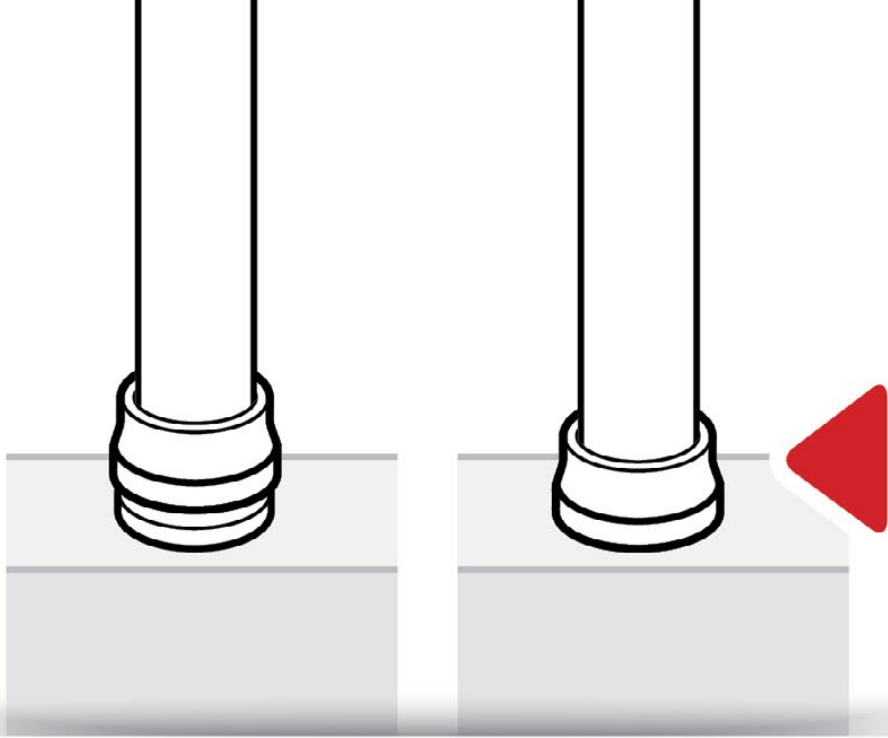
Shoe



The *shoe* has a flexible wall that expands as the baluster is pushed into place and recoils, thereby locking and hugging the baluster.

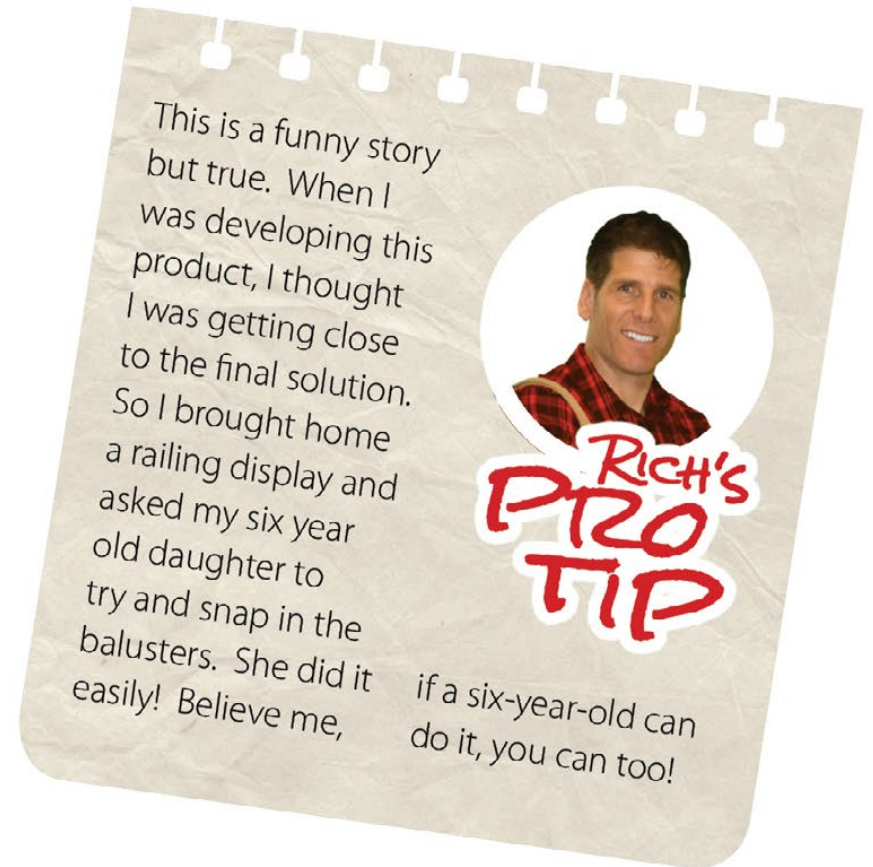


Collar



The *shoe* and *collar* have mating surfaces that are sloped so that they can tighten as they rub against each other. There is also a locking mechanism in the connectors that you can *click together*. That's an audible clue that the connectors and baluster have *seated perfectly together*.

But what really matters is that you can now install elegant, architectural style balusters ***faster and easier*** than ever before.



Strong *and* Beautiful.

Once the product was completed, I hired *Intertek* to test the balustrade made with the *Snap 'n Lock*® Balusters.

They conducted *in-fill* load tests and the railings surpassed the design load by *ten times!* That is more than *four times the safety factor*. Then they pushed the balustrade to *destruction*. It was finally destroyed at 515 lbs.

SNAP 'N LOCK®

IN-FILL
LOAD TEST:
x10 ✓

SAFETY
FACTOR:
x4 ✓

FINAL
DESTRUCTION:
515
LBS. ✓





Simple... Care-Free Maintenance.

Have you ever had to touch up your wood railing with the standard baluster connectors?

If you ever have, then you know how long it takes to painfully and carefully stain around each baluster without leaving a ton of paint on them.

It's not a problem if you use Snap 'n Lock[®] Baluster Connectors.

Check it out!

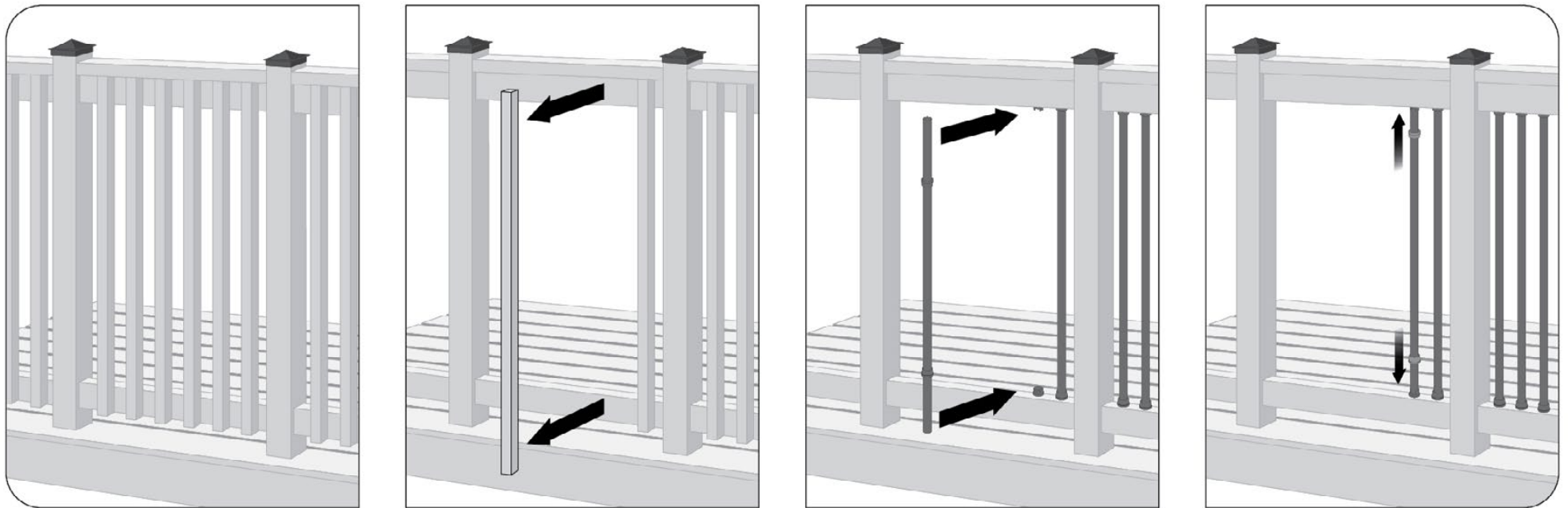
Touch up is... **Fast!**



All you have to do is take a **flat screw driver** and **pop up** the cover so you can stain around the connector shoe with carefree speed. Any spill over **will be hidden** once you slide the cover back down.

Upgrade *Old Wood Railings*

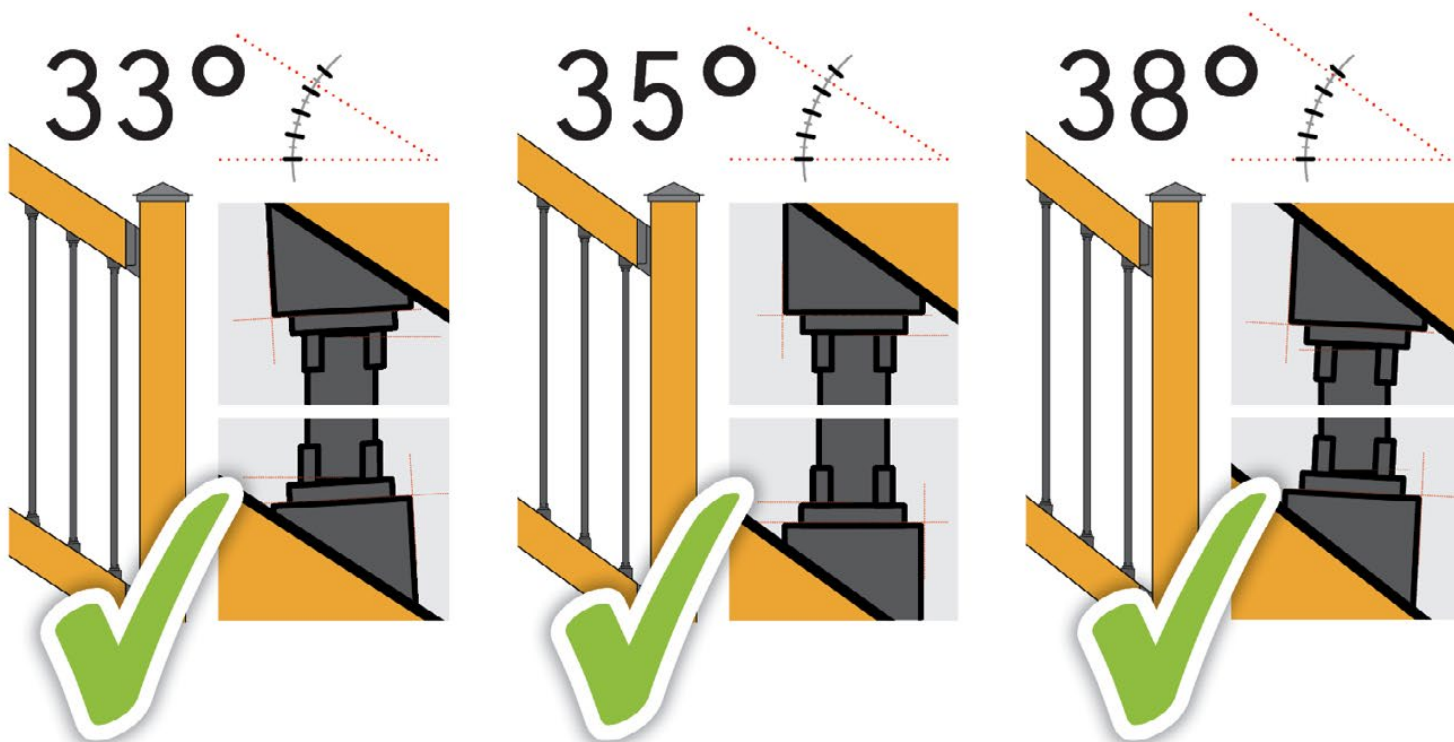
Give your old 2x2 wood picket railing a brand new look, just *unscrew the pickets* and *install the Snap 'n Lock[®] balusters in sideways*.



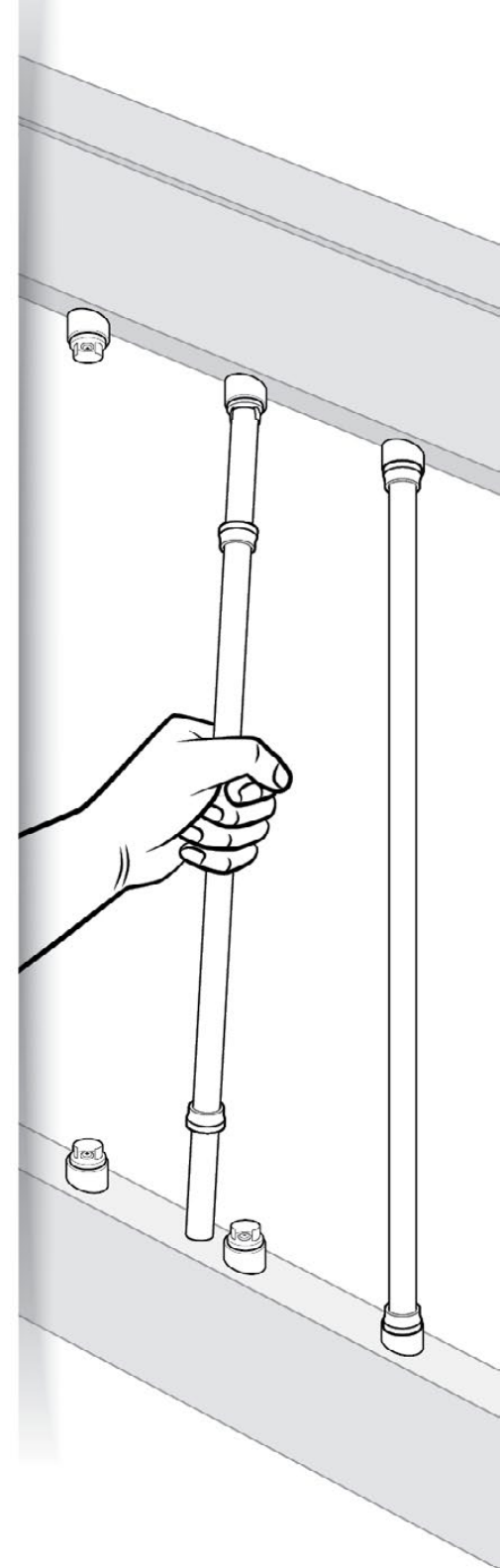
No need to deconstruct the railing as you would have to do if you used other traditional systems.

Building **Stair Rails?**

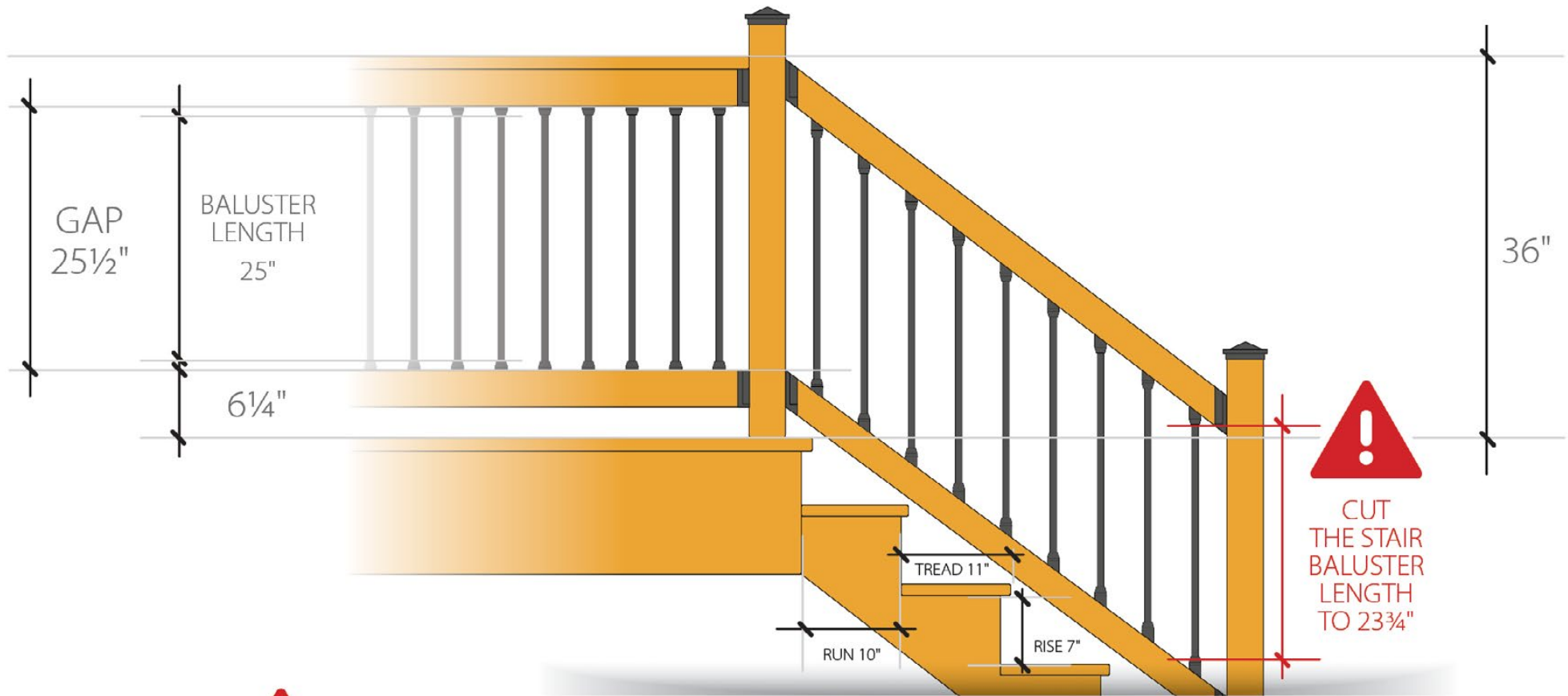
Snap 'n Lock[®] Stair Adapters come *with built-in flex insurance.*



You can easily use the **Snap 'n Lock[®] System** on stair rails that range from **33° - 38°**



A Common 36" High Stair Rail



Dimensions apply to a stair case built with a **7" rise** and **10" run**. **The 25" balusters are cut down to 23-3/4" to achieve this configuration.** However, rises up to 7-3/4" are permitted and this would further reduce the angle and the length of the baluster.

Elegant Architectural Style and Design

